

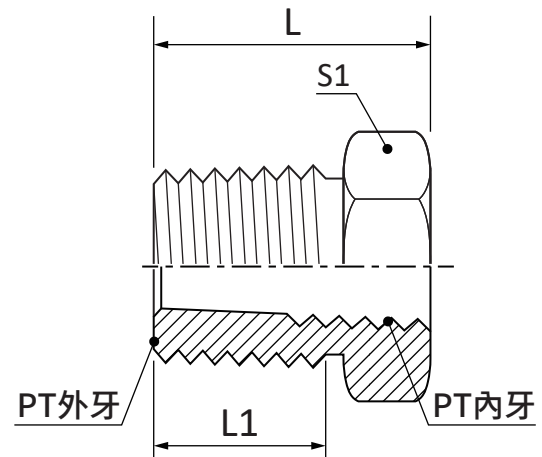
BS

接頭規格：外牙-固定內牙

螺紋規格：BSPT-BSPT

接頭材質：電鍍鋅、不銹鋼

※另有大小頭規格，歡迎洽詢



尚府料號	規格	THREAD 1	THREAD 2	尺寸mm						
	PT外牙*PT	PT(BSPT/R)	PT(BSPT/R)	L	L1	L2	S1	S2	D1	D2
BS0402	1/4*1/8	1/4-19	1/8-28	19	13	-	14	-	-	-
BS0602	3/8*1/8	3/8-19	1/8-28	21	14	-	17	-	-	-
BS0604	3/8*1/4	3/8-19	1/4-19	21	14	-	17	-	-	-
BS0802	1/2*1/8	1/2-14	1/8-28	22	15	-	21	-	-	-
BS0804	1/2*1/4	1/2-14	1/4-19	22	15	-	21	-	-	-
BS0806	1/2*3/8	1/2-14	3/8-19	22	15	-	21	-	-	-
BS1204	3/4*1/4	3/4-14	1/4-19	31	18	-	27	-	-	-
BS1206	3/4*3/8	3/4-14	3/8-19	31	20	-	27	-	-	-
BS1208	3/4*1/2	3/4-14	1/2-14	31	20	-	27	-	-	-
BS1604	1*1/4	1-11	1/4-19	31	20	-	33	-	-	-
BS1606	1*3/8	1-11	3/8-19	31	20	-	33	-	-	-
BS1608	1*1/2	1-11	1/2-14	35	23	-	33	-	-	-
BS1612	1*3/4	1-11	3/4-14	35	23	-	33	-	-	-
BS2006	1 1/4*3/8	1 1/4-11	3/8-19	35	24	-	41	-	-	-
BS2008	1 1/4*1/2	1 1/4-11	1/2-14	35	24	-	41	-	-	-

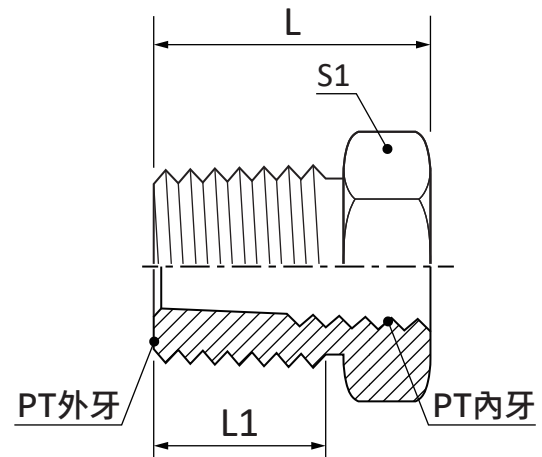
BS

接頭規格：外牙-固定內牙

螺紋規格：BSPT-BSPT

接頭材質：電鍍鋅、不銹鋼

※另有大小頭規格，歡迎洽詢



尚府料號	規格	THREAD 1	THREAD 2	尺寸mm						
	PT外牙*PT	PT(BSPT/R)	PT(BSPT/R)	L	L1	L2	S1	S2	D1	D2
BS2012	1 ¹ / ₄ *3/4	1 ¹ / ₄ -11	3/4-14	35	24	-	41	-	-	-
BS2016	1 ¹ / ₄ *1	1 ¹ / ₄ -11	1-11	35	24	-	41	-	-	-
BS2408	1 ¹ / ₂ *1/2	1 ¹ / ₂ -11	1/2-14	36	25	-	50	-	-	-
BS2412	1 ¹ / ₂ *3/4	1 ¹ / ₂ -11	3/4-14	36	25	-	50	-	-	-
BS2416	1 ¹ / ₂ *1	1 ¹ / ₂ -11	1-11	38	24	-	50	-	-	-
BS2420	1 ¹ / ₂ *1 ¹ / ₄	1 ¹ / ₂ -11	1 ¹ / ₄ -11	38	24	-	50	-	-	-
BS3212	2*3/4	2-11	3/4-14	43	30	-	61	-	-	-
BS3216	2*1	2-11	1-11	43	30	-	61	-	-	-
BS3220	2*1 ¹ / ₄	2-11	1 ¹ / ₄ -11	43	30	-	61	-	-	-
BS3224	2*1 ¹ / ₂	2-11	1 ¹ / ₂ -11	43	30	-	61	-	-	-
BS3432	2 ¹ / ₂ *2	2 ¹ / ₂ -11	2-11	49	33	-	77	-	-	-