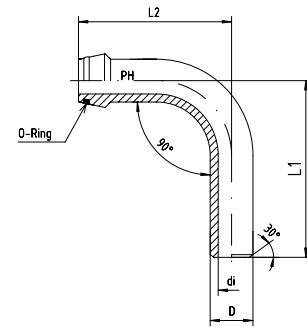




Mit O-Ring Abdichtung - NBR
Auf Anfrage: FPM
Passend in 24°-Innenkonus
Bohrungsform W DIN 3861

With O-ring Sealing - NBR
On request: FPM
Matching Type 24°-Inside Tapers
Bore Type W DIN 3861



Reihe / Series S

| Druck Pressure | Rohr Tube | Ca. Maße Approx. Dimensions | | | | O-Ring O-ring | Bemerkungen Notes | Bestellzeichen Order-Code |
|-------------------|--------------|--------------------------------|-----------|----------|-----------|------------------|----------------------|------------------------------|
| | | L1 | L2 | D | di | | | |
| PN | | L1 | L2 | D | di | | | |
| 460 | 10 x 2 | 49,0 | 51,0 | 10,0 | 6,0 | 8,0 x 1,5 | | SKV-RB-10x2 |
| 393 | 12 x 2 | 50,0 | 51,0 | 12,0 | 8,0 | 10,0 x 1,5 | | SKV-RB-12x2 |
| 476 | 12 x 2,5 | 50,0 | 51,0 | 12,0 | 7,0 | 10,0 x 1,5 | | SKV-RB-12x2,5 |
| 305 | 16 x 2 | 72,0 | 67,0 | 16,0 | 12,0 | 13,0 x 2,0 | | SKV-RB-16x2 |
| 372 | 16 x 2,5 | 72,0 | 67,0 | 16,0 | 11,0 | 13,0 x 2,0 | | SKV-RB-16x2,5 |
| 435 | 16 x 3 | 72,0 | 67,0 | 16,0 | 10,0 | 13,0 x 2,0 | | SKV-RB-16x3 |
| 249 | 20 x 2 | 89,0 | 86,0 | 20,0 | 16,0 | 16,3 x 2,4 | | SKV-RB-20x2 |
| 305 | 20 x 2,5 | 89,0 | 86,0 | 20,0 | 15,0 | 16,3 x 2,4 | | SKV-RB-20x2,5 |
| 358 | 20 x 3 | 89,0 | 86,0 | 20,0 | 14,0 | 16,3 x 2,4 | | SKV-RB-20x3 |
| 294 | 25 x 3 | 93,0 | 89,0 | 25,0 | 19,0 | 21,3 x 2,4 | | SKV-RB-25x3 |
| 379 | 25 x 4 | 93,0 | 89,0 | 25,0 | 17,0 | 21,3 x 2,4 | | SKV-RB-25x4 |
| 460 | 25 x 5 | 93,0 | 89,0 | 25,0 | 15,0 | 21,3 x 2,4 | | SKV-RB-25x5 |
| 323 | 30 x 4 | 112,0 | 105,0 | 30,0 | 22,0 | 25,3 x 2,4 | | SKV-RB-30x4 |
| 393 | 30 x 5 | 112,0 | 105,0 | 30,0 | 20,0 | 25,3 x 2,4 | | SKV-RB-30x5 |
| 460 | 30 x 6 | 112,0 | 105,0 | 30,0 | 18,0 | 25,3 x 2,4 | | SKV-RB-30x6 |
| 261 | 38 x 4 | 145,0 | 137,0 | 38,0 | 30,0 | 34,0 x 2,5 | | SKV-RB-38x4 |
| 319 | 38 x 5 | 145,0 | 137,0 | 38,0 | 28,0 | 34,0 x 2,5 | | SKV-RB-38x5 |
| 375 | 38 x 6 | 145,0 | 137,0 | 38,0 | 26,0 | 34,0 x 2,5 | | SKV-RB-38x6 |
| 429 | 38 x 7 | 145,0 | 137,0 | 38,0 | 24,0 | 34,0 x 2,5 | | SKV-RB-38x7 |

Reihe / Series L

| Druck Pressure | Rohr Tube | Ca. Maße Approx. Dimensions | | | | O-Ring O-ring | Bemerkungen Notes | Bestellzeichen Order-Code |
|-------------------|--------------|--------------------------------|-----------|----------|-----------|------------------|----------------------|------------------------------|
| | | L1 | L2 | D | di | | | |
| PN | | L1 | L2 | D | di | | | |
| 328 | 22 x 3 | 79,0 | 85,0 | 22,0 | 16,0 | 19,0 x 2,0 | | SKV-RB-22x3 |