

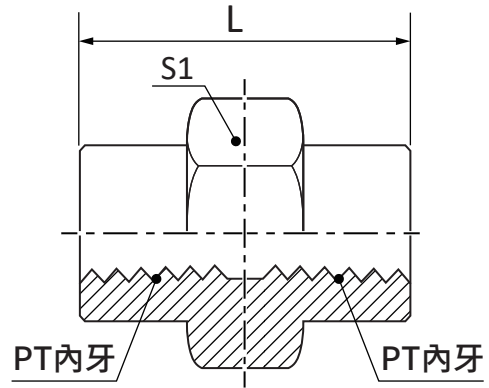
FT

接頭規格：固定內牙-固定內牙

螺紋規格：BSPT-BSPT

接頭材質：電鍍鋅、不銹鋼

※各式規格，歡迎洽詢



| 尚府料號 | 規格 | THREAD 1 | THREAD 2 | 尺寸mm | | | | | | |
|------|-------------|------------|------------|------|----|----|----|----|----|----|
| | PT*PT | PT(BSPT/R) | PT(BSPT/R) | L | L1 | L2 | S1 | S2 | D1 | D2 |
| FT02 | 1/8*1/8 | 1/8-28 | 1/8-28 | 22 | - | - | 14 | - | - | - |
| FT04 | 1/4*1/4 | 1/4-19 | 1/4-19 | 25 | - | - | 19 | - | - | - |
| FT06 | 3/8*3/8 | 3/8-19 | 3/8-19 | 29 | - | - | 23 | - | - | - |
| FT08 | 1/2*1/2 | 1/2-14 | 1/2-14 | 36 | - | - | 29 | - | - | - |
| FT12 | 3/4*3/4 | 3/4-14 | 3/4-14 | 42 | - | - | 34 | - | - | - |
| FT16 | 1*1 | 1-11 | 1-11 | 43 | - | - | 40 | - | - | - |
| FT20 | 1 1/4*1 1/4 | 1 1/4-11 | 1 1/4-11 | 50 | - | - | 50 | - | - | - |
| FT24 | 1 1/2*1 1/2 | 1 1/2-11 | 1 1/2-11 | 55 | - | - | 57 | - | - | - |
| FT32 | 2*2 | 2-11 | 2-11 | 64 | - | - | 75 | - | - | - |