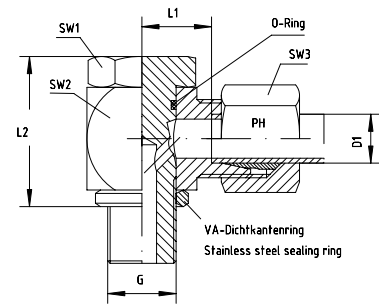




Winkel-Schwenkverschraubungen  
Mit VA-Dichtkantenring für Ausdehnung DIN 3852  
(schmal)  
Hohlschraube muss vor der Montage geschmiert  
werden (siehe Allgemeine Informationen Rubrik 1)  
Einschraubgewinde G:  
Whitworth-Rohrgewinde - Zylindrisch  
O-Ring: FPM

Banjo Elbows  
With Stainless Steel Sealing Ring for DIN 3852 (small)  
Banjo Bolt must be greased prior to assembly  
(see General Information Category 1)  
Thread G: BSP - Parallel  
O-Ring: FPM



Reihe / Series LL

Druck Pressure	Rohr A.D. Tube O.D.	Gewinde Thread	Ca. Maße Approx. Dimensions			Bestellzeichen Order-Code			Brutto-Preis Gross-Price
PN	D1	G	L1	L2	SW1	SW2	SW3	Euro (€)	
100	4	G 1/8"	11,0	24,0	17	18	10	WHV-LL-04-G 1/8"	
100	6	G 1/8"	11,5	24,0	17	18	12	WHV-LL-06-G 1/8"	
100	8	G 1/8"	11,5	24,0	17	18	14	WHV-LL-08-G 1/8"	

Reihe / Series L

Druck Pressure	Rohr A.D. Tube O.D.	Gewinde Thread	Ca. Maße Approx. Dimensions			Bestellzeichen Order-Code			Brutto-Preis Gross-Price
PN	D1	G	L1	L2	SW1	SW2	SW3	Euro (€)	
500	6	G 1/8"	12,0	24,0	17	18	14	WHV-L-06-G 1/8"	
400	8	G 1/4"	14,5	30,0	19	22	17	WHV-L-08-G 1/4"	
350	10	G 1/4"	15,5	30,0	19	22	19	WHV-L-10-G 1/4"	
350	10	G 3/8"	17,5	35,0	24	27	19	WHV-L-10-G 3/8"	
350	12	G 1/4"	15,5	30,0	19	22	22	WHV-L-12-G 1/4"	
350	12	G 3/8"	18,0	36,0	24	27	22	WHV-L-12-G 3/8"	
315	12	G 1/2"	21,5	45,0	30	32	22	WHV-L-12-G 1/2"	
315	15	G 1/2"	21,5	45,0	30	32	27	WHV-L-15-G 1/2"	
315	18	G 1/2"	21,0	45,0	30	32	32	WHV-L-18-G 1/2"	
200	22	G 3/4"	27,5	53,0	36	40	36	WHV-L-22-G 3/4"	
200	28	G 1"	32,0	66,0	46	50	41	WHV-L-28-G 1"	
200	35	G 1 1/4"	36,0	76,0	55	60	50	WHV-L-35-G 1 1/4"	
200	42	G 1 1/2"	40,5	87,0	60	70	60	WHV-L-42-G 1 1/2"	

Reihe / Series S

Druck Pressure	Rohr A.D. Tube O.D.	Gewinde Thread	Ca. Maße Approx. Dimensions			Bestellzeichen Order-Code			Brutto-Preis Gross-Price
PN	D1	G	L1	L2	SW1	SW2	SW3	Euro (€)	
500	6	G 1/4"	16,5	30,0	19	22	17	WHV-S-06-G 1/4"	
450	8	G 1/4"	16,5	30,0	19	22	19	WHV-S-08-G 1/4"	
400	10	G 1/4"	16,5	30,0	19	22	22	WHV-S-10-G 1/4"	
400	10	G 3/8"	18,5	36,0	24	27	22	WHV-S-10-G 3/8"	
400	12	G 3/8"	18,5	36,0	24	27	24	WHV-S-12-G 3/8"	
400	14	G 1/2"	22,5	45,0	30	32	27	WHV-S-14-G 1/2"	
400	16	G 1/2"	22,0	45,0	30	32	30	WHV-S-16-G 1/2"	
400	20	G 3/4"	26,5	53,0	36	40	36	WHV-S-20-G 3/4"	
250	25	G 1"	31,5	66,0	46	50	46	WHV-S-25-G 1"	
250	30	G 1 1/4"	37,0	76,0	55	60	50	WHV-S-30-G 1 1/4"	
250	38	G 1 1/2"	41,5	87,0	60	70	60	WHV-S-38-G 1 1/2"	