

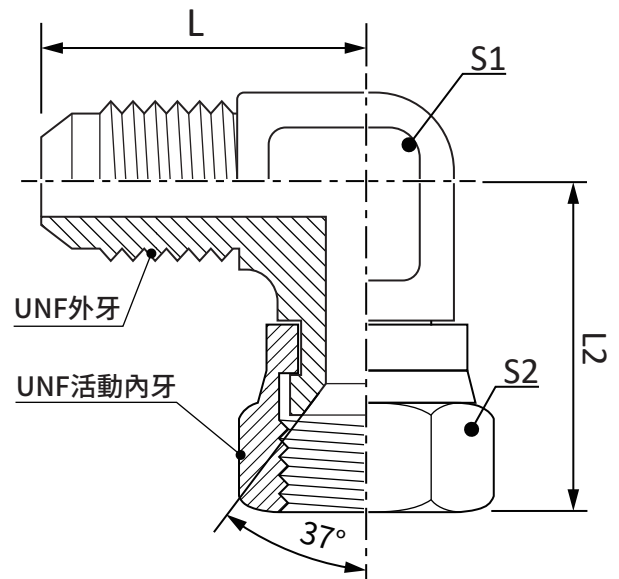
HNJ90

接頭規格：外牙凸37°-活動內牙凹37°

螺紋規格：JIC-JIC

接頭材質：電鍍鋅、不銹鋼

※另有大小頭規格，歡迎洽詢



尚府料號	規格 JIC*JIC	THREAD		尺寸mm						
		THREAD 1 JIC(UNF/UN)	THREAD 2 JIC(UNF/UN)	L	L1	L2	S1	S2	D1	D2
HNJ040490	1/4*1/4	7/16-20	7/16-20	-	27	30	14	17	-	-
HNJ060690	3/8*3/8	9/16-18	9/16-20	-	29	30	17	19	-	-
HNJ080890	1/2*1/2	3/4-16	3/4-16	-	33	35	23	24	-	-
HNJ101090	5/8*5/8	7/8-14	7/8-14	-	33	35	23	27	-	-
HNJ121290	3/4*3/4	1 ¹ / ₁₆ -12	1 ¹ / ₁₆ -12	-	41	40	27	32	-	-
HNJ161690	1*1	1 ⁵ / ₁₆ -12	1 ⁵ / ₁₆ -12	-	48	48	33	41	-	-
HNJ202090	1 ¹ / ₄ *1 ¹ / ₄	1 ⁵ / ₈ -12	1 ⁵ / ₈ -12	-	57	63	41	50	-	-
HNJ242490	1 ¹ / ₂ *1 ¹ / ₂	1 ⁷ / ₈ -12	1 ⁷ / ₈ -12	-	64	68	50	57	-	-
HNJ323290	2*2	2 ¹ / ₂ -12	2 ¹ / ₂ -12	-	73	88	64	75	-	-