

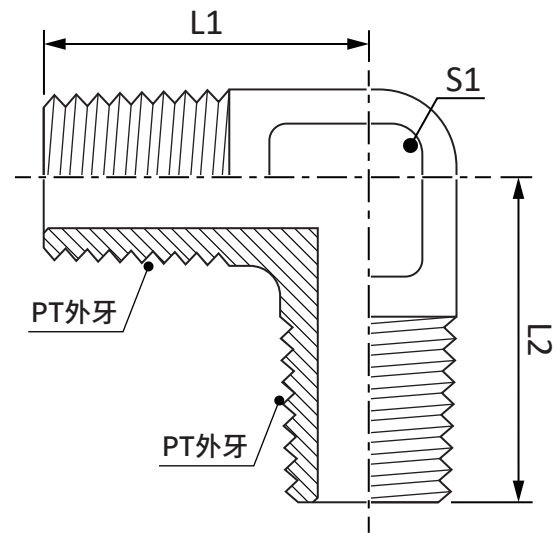
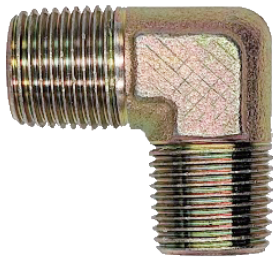
## TT90

接頭規格：外牙-外牙

螺紋規格：BSPT-BSPT

接頭材質：電鍍鋅、不銹鋼

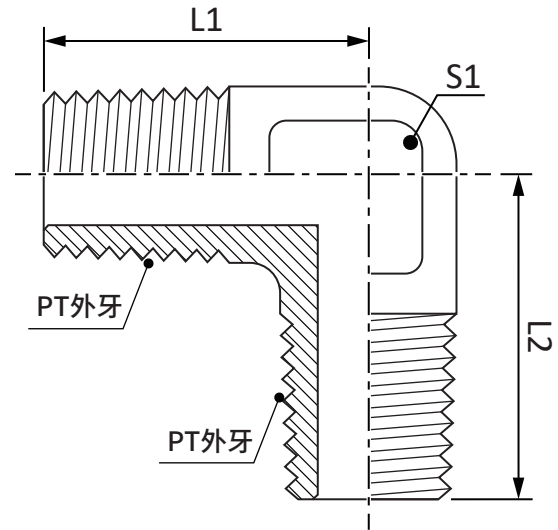
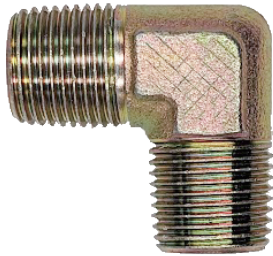
※各式規格，歡迎洽詢



| 尚府料號     | 規格        | THREAD 1   | THREAD 2   | 尺寸mm |    |    |    |    |    |    |
|----------|-----------|------------|------------|------|----|----|----|----|----|----|
|          | PT*PT     | PT(BSPT/R) | PT(BSPT/R) | L    | L1 | L2 | S1 | S2 | D1 | D2 |
| TT020290 | 1/8*1/8   | 1/8-28     | 1/8-28     | -    | 27 | 27 | 14 | -  | -  | -  |
| TT040290 | 1/4*1/8   | 1/4-19     | 1/8-28     | -    | 27 | 27 | 14 | -  | -  | -  |
| TT040490 | 1/4*1/4   | 1/4-19     | 1/4-19     | -    | 27 | 27 | 14 | -  | -  | -  |
| TT060490 | 3/8*1/4   | 3/8-19     | 1/4-19     | -    | 29 | 29 | 17 | -  | -  | -  |
| TT060690 | 3/8*3/8   | 3/8-19     | 3/8-19     | -    | 29 | 29 | 17 | -  | -  | -  |
| TT080490 | 1/2*1/4   | 1/2-14     | 1/4-19     | -    | 33 | 33 | 19 | -  | -  | -  |
| TT080690 | 1/2*3/8   | 1/2-14     | 3/8-19     | -    | 33 | 33 | 19 | -  | -  | -  |
| TT080890 | 1/2*1/2   | 1/2-14     | 1/2-14     | -    | 33 | 33 | 23 | -  | -  | -  |
| TT120690 | 3/4*3/8   | 3/4-14     | 3/8-19     | -    | 41 | 41 | 27 | -  | -  | -  |
| TT120890 | 3/4*1/2   | 3/4-14     | 1/2-14     | -    | 41 | 41 | 27 | -  | -  | -  |
| TT121290 | 3/4*3/4   | 3/4-14     | 3/4-14     | -    | 41 | 41 | 27 | -  | -  | -  |
| TT160890 | 1*1/2     | 1-11       | 1/2-14     | -    | 48 | 48 | 33 | -  | -  | -  |
| TT161290 | 1*3/4     | 1-11       | 3/4-14     | -    | 48 | 48 | 33 | -  | -  | -  |
| TT161690 | 1*1       | 1-11       | 1-11       | -    | 48 | 48 | 33 | -  | -  | -  |
| TT201290 | 1 1/4*3/4 | 1 1/4-11   | 3/4-14     | -    | 57 | 57 | 41 | -  | -  | -  |

## TT90

接頭規格：外牙-外牙  
 螺紋規格：BSPT-BSPT  
 接頭材質：電鍍鋅、不銹鋼  
 ※各式規格，歡迎洽詢



| 尚府料號     | 規格   | THREAD 1                          | THREAD 2                          | 尺寸mm |    |    |    |    |    |    |
|----------|--|-----------------------------------|-----------------------------------|------|----|----|----|----|----|----|
|          | PT*PT  | PT(BSPT/R)                        | PT(BSPT/R)                        | L    | L1 | L2 | S1 | S2 | D1 | D2 |
| TT201690 | 1 <sup>1</sup> / <sub>4</sub> *1                             | 1 <sup>1</sup> / <sub>4</sub> -11 | 1-11                              | -    | 57 | 57 | 41 | -  | -  | -  |
| TT202090 | 1 <sup>1</sup> / <sub>4</sub> *1 <sup>1</sup> / <sub>4</sub> | 1 <sup>1</sup> / <sub>4</sub> -11 | 1 <sup>1</sup> / <sub>4</sub> -11 | -    | 57 | 57 | 41 | -  | -  | -  |
| TT241690 | 1 <sup>1</sup> / <sub>2</sub> *1                             | 1 <sup>1</sup> / <sub>2</sub> -11 | 1-11                              | -    | 64 | 64 | 50 | -  | -  | -  |
| TT242090 | 1 <sup>1</sup> / <sub>2</sub> *1 <sup>1</sup> / <sub>4</sub> | 1 <sup>1</sup> / <sub>2</sub> -11 | 1 <sup>1</sup> / <sub>4</sub> -11 | -    | 64 | 64 | 50 | -  | -  | -  |
| TT242490 | 1 <sup>1</sup> / <sub>2</sub> *1 <sup>1</sup> / <sub>2</sub> | 1 <sup>1</sup> / <sub>2</sub> -11 | 1 <sup>1</sup> / <sub>2</sub> -11 | -    | 64 | 64 | 50 | -  | -  | -  |
| TT322490 | 2*1 <sup>1</sup> / <sub>2</sub>                              | 2-11                              | 1 <sup>1</sup> / <sub>2</sub> -11 | -    | 73 | 73 | 64 | -  | -  | -  |
| TT323290 | 2*2  | 2-11                              | 2-11                              | -    | 73 | 73 | 64 | -  | -  | -  |