

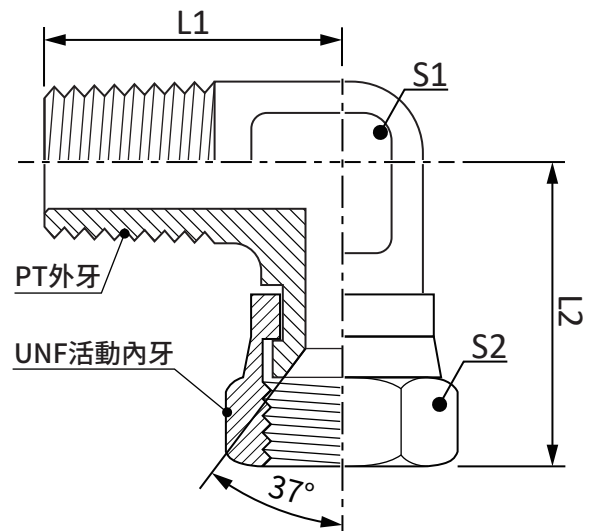
## PTNJ90

接頭規格：外牙-活動內牙凹37°

螺紋規格：BSPT-JIC

接頭材質：電鍍鋅、不銹鋼

※各式規格，歡迎洽詢



尚府料號	規格	THREAD 1	THREAD 2	尺寸mm						
	PT*JIC	PT(BSPT/R)	JIC(UNF/UN)	L	L1	L2	S1	S2	D1	D2
PTNJ040490	1/4*1/4	1/4-19	7/16-20	-	27	30	14	17	-	-
PTNJ060690	3/8*3/8	3/8-19	9/16-18	-	29	30	17	19	-	-
PTNJ080890	1/2*1/2	1/2-14	3/4-16	-	33	35	23	24	-	-
PTNJ121290	3/4*3/4	3/4-14	1 <sup>1</sup> / <sub>16</sub> -12	-	41	40	27	32	-	-
PTNJ161690	1*1	1-11	1 <sup>5</sup> / <sub>16</sub> -12	-	48	48	33	41	-	-
PTNJ202090	1 <sup>1</sup> / <sub>4</sub> *1 <sup>1</sup> / <sub>4</sub>	1 <sup>1</sup> / <sub>4</sub> -11	1 <sup>5</sup> / <sub>8</sub> -12	-	57	63	41	50	-	-
PTNJ242490	1 <sup>1</sup> / <sub>2</sub> *1 <sup>1</sup> / <sub>2</sub>	1 <sup>1</sup> / <sub>2</sub> -11	1 <sup>7</sup> / <sub>8</sub> -12	-	64	68	50	57	-	-